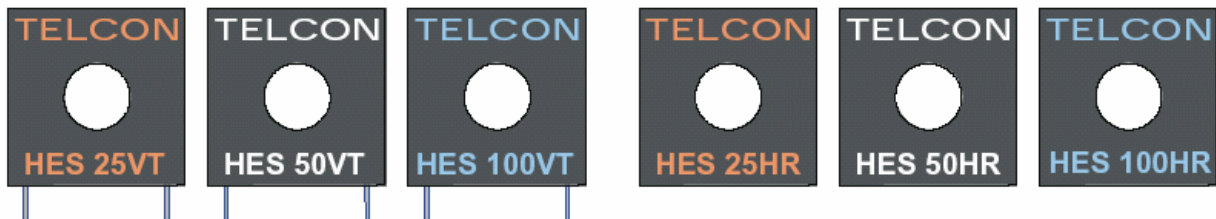




Speciality Magnetic Components
QUALIFIED to ISO 9001:2008

PCB Mounting Hall Effect Current Transformers
Detector Coil Assembly Type HES25VT, HES50VT, HES100VT,
HES25HR, HES50HR and HES100HR



The HES series of Hall Element and coil assemblies enable the implementation of a full Hall Effect Current Transformer by the addition of the requisite electronic circuitry, suitable for measuring currents up to 100A. They are supplied as a free-standing component, enabling the user to configure a closed-loop Hall Effect current transformer to their own specification.

Features

- High Accuracy
- Fast Response
- All Contacts via PCB
- Designed in Quality

Benefits

- Galvanic Isolation
- Ease of Assembly
- Non Invasive
- High Reliability
- Wide Dynamic Range

Applications

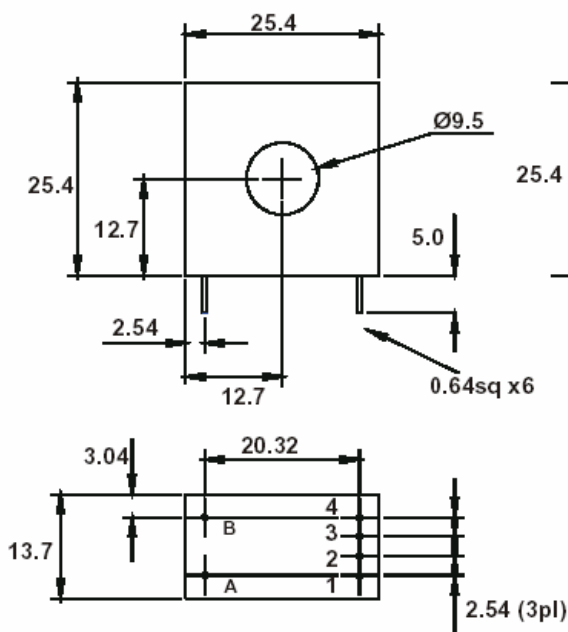
- Variable Speed Drives
- UPS Systems
- D.C. Power Supplies
- Low Frequency Current Measurement
- Overcurrent Protection
- Robotics
- Frequency Inverters
- Power Factor Monitoring

TECHNICAL DATA	HES25 VT/HR	HES50 VT/HR	HES100 VT/HR
Nominal Primary Current	25A	50A	100A
Turns Ratio	1000:1		
Nominal Power Supply	$\pm 15V \pm 5\%$		
Minimum Load Resistance	75 Ω	75 Ω	45 Ω
Operating Temperature Range	0 to +70°C		
Storage Temperature Range	-25°C to +85°C		
SPECIFICATION	HES25 VT/HR	HES50 VT/HR	HES100 VT/HR
Linearity	0.1% of nominal primary current		
Limit of linearity	$\pm 55A$ peak	$\pm 80A$ peak	$\pm 140A$ peak
Overall Accuracy	0.5% of nominal primary		
Zero Offset/Temperature	$< 5\mu A/^{\circ}C$		
Zero Offset/Supply Variation	$< 5\mu A/V$		
Coil Resistance	80 Ω	52 Ω	32 Ω
Bandwidth (-1dB)	Dc to 100kHz		
Di/dt following	$> 100A/\mu s$		
Delay time	1 μs		
dV/dt Immunity	10kV/ μs		
GENERAL DATA	HES25/50/100 VT		HES25/50/100 HR
Weight	15g nominal		
Housing	Modified Polyphenylene Oxide		
Mounting	Direct mounting to PCB by 6 pins		Direct mounting to PCB by 8 pins
Conductor Temperature	The temperature of the primary conductor should not exceed 100°C		
Conductor Position	Optimum dynamic performance is achieved with a single conductor filling the bore		
Signal Sense	Positive output for primary in direction of arrow on box		Positive output for primary down through board

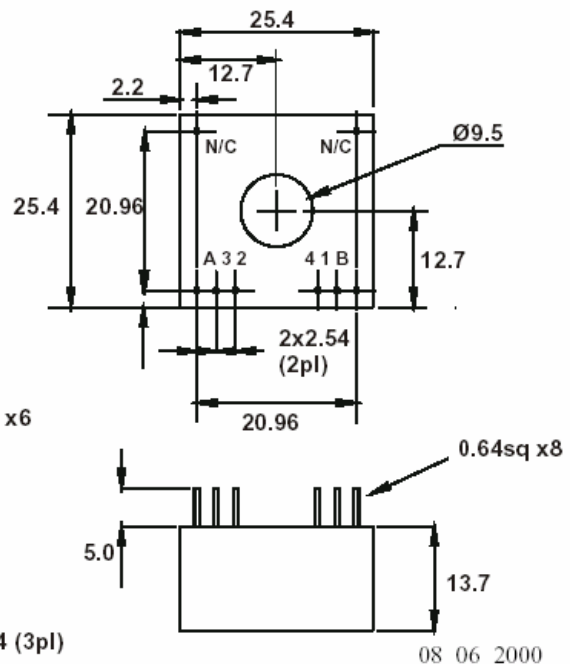
DIMENSIONS

Pin designation as viewed from below

HES VT



HES HR



08 06 2000